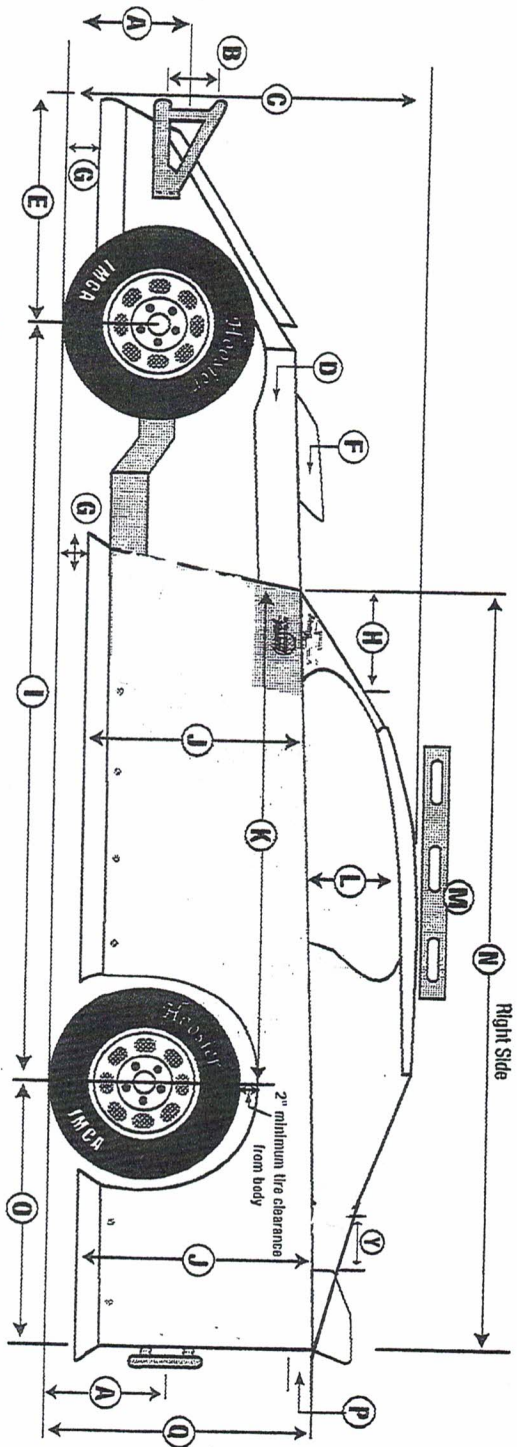
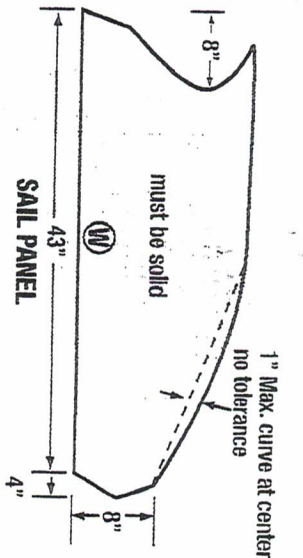
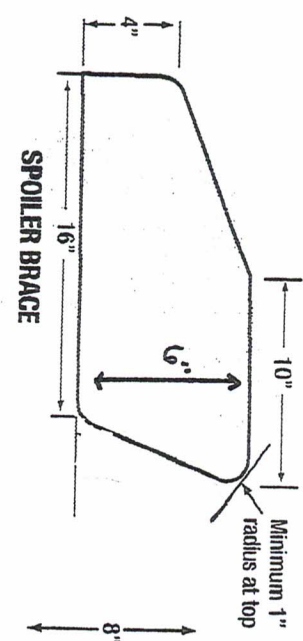
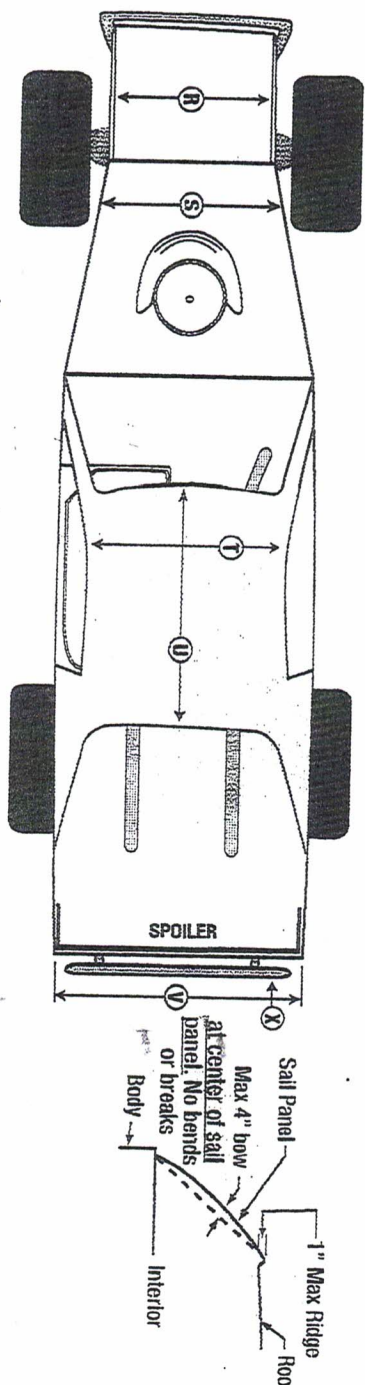


Southern Oklahoma Speedway Eco Mod Dimensions for 2022 - Southern



All body measurements are max. unless otherwise specified. Dimensions have zero tolerance.



- A 23" max. 16" min. (ground to center of bumpers, front and rear)
- B 6.5" min. (center to center)
- C 5.8" max. 42" min.
- D Hood 5" max. drop (sides), sealed off from driver's compartment and max. 6" rake.
- E 36" max.
- F 6" max.
- G 5" min. ground clearance; Door may extend max. 6" past block at bottom, both sides.
- H 19" max., must be same on both sides.
- I 109" max. 107" min.
- J 31" max. 24" min.
- K 67" min., or not past back of block at top.
- L 18" max. 12" min. opening, both sides.
- M With level, must have no more than 2" clearance at rear of roof and 5" at top front.
- N 121" max. 98" min.
- O 48" max. 31" min.
- P Interior slope is 6" max. front to rear and flat across. If flat at front half of interior you have used up 50% of your 6" so from behind driver to rear you may only have 3". Top of interior must be flush with top of doors and quarters. Optional escape hatch from driver to passenger door allowed.
- Q 41" max. 28" min.
- R min. 24" nose must be flat and flush with sides.
- S 67" max. 24" min., must cover radiator.
- T 53" max. 32" min. (includes sides)
- U 53" max. 32" min.
- V 67" max. 55" min., measured at top of interior deck, must be same front to back.
- W 43" max. 24" min.
- X 3" min.

REAR FILLER PANEL, OPTIONAL

SPOILER BRACES: Maximum 3 total. Bottom edge of spoiler brace must be flush with rear edge of interior deck.

SAIL PANELS: Must be within confines of these dimensions and the same on both sides. Must mount within 2" of outside edge of interior deck. May go to the back of deck and maintain 4" at front of spoiler brace.